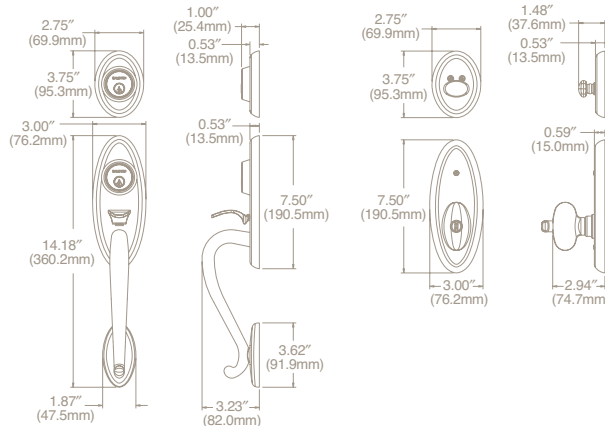


# IMAGES – HANDLESETS, 2-POINT & SINGLE-POINT

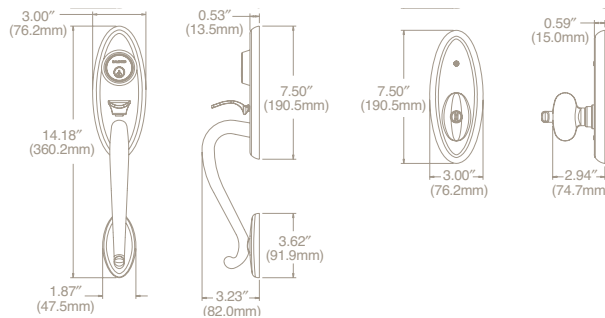
Landon™ Two-Point Lock Handleset  
w/ Egg knob or Wave lever

Item #	Function	Wt.	031, 050, 102		003, 055, 056	
			112, 150, 151	190, 260, 264	402, 412, 452	
85345.xxx.2ENT	Single cylinder handleset with interior knob	8.8	\$466		495	
85345.xxx.2DC	Double cylinder handleset with interior knob	8.6		495	524	
85345.xxx.2FD	Full dummy set with interior knob	8.1		439	466	
85345.xxx.2RH	Single cylinder handleset with lever – RH Entry	8.3		466	495	
85345.xxx.2LH	Single cylinder handleset with lever – LH Entry	8.3		466	495	
85345.xxx.2DCR	Double cylinder handleset with lever – RH Entry	8.1		495	524	
85345.xxx.2DCL	Double cylinder handleset with lever – LH Entry	8.1		495	524	
85345.xxx.2RFD	Full dummy set with lever – RH Dummy	7.7		439	466	
85345.xxx.2LFD	Full dummy set with lever – LH Dummy	7.7		439	466	



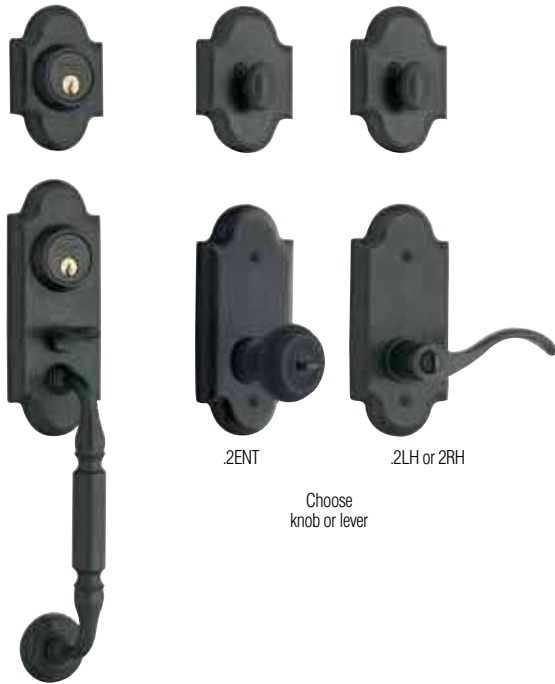
Landon™ Single-Point Lock Handleset  
w/ 5225 Egg knob or 5255 Wave lever

Item #	Function	Wt.	031, 050, 102		003, 055, 056	
			112, 150, 151	190, 260, 264	402, 412, 452	
85345.xxx.1ENT	Single cylinder handleset with interior knob	7.7	\$390		419	
85345.xxx.1FD	Full dummy set with interior knob	7.3		352	381	
85345.xxx.1RH	Single cylinder handleset with lever – RH Entry	7.3		390	419	
85345.xxx.1LH	Single cylinder handleset with lever – LH Entry	7.3		390	419	
85345.xxx.1RFD	Full dummy set with lever – RH Dummy	6.8		352	381	
85345.xxx.1LFD	Full dummy set with lever – LH Dummy	6.8		352	381	

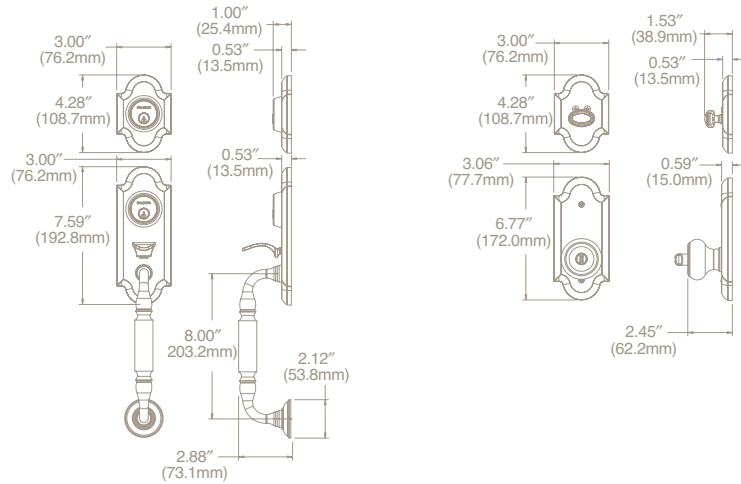


# IMAGES – HANDLESETS, 2-POINT & SINGLE-POINT

Ashton™ Two-Point Lock Handleset  
w/ 5210 Colonial knob or 5255 Wave lever



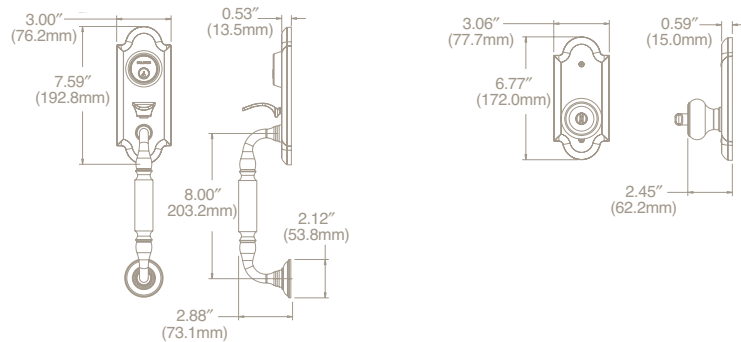
Item #	Function	Wt.	031, 050, 102 112, 150, 151 190, 260, 264		003, 055, 056 402, 412, 452	
85365.xxx.2ENT	Single cylinder handleset with interior knob	9.2	\$466		495	
85365.xxx.2DC	Double cylinder handleset with interior knob	8.9	495		524	
85365.xxx.2FD	Full dummy set with interior knob	8.6	439		466	
85365.xxx.2RH	Single cylinder handleset with lever – RH Entry	8.8	466		495	
85365.xxx.2LH	Single cylinder handleset with lever – LH Entry	8.8	466		495	
85365.xxx.2DCR	Double cylinder handleset with lever – RH Entry	8.5	495		524	
85365.xxx.2DCL	Double cylinder handleset with lever – LH Entry	8.5	495		524	
85365.xxx.2RFD	Full dummy set with lever – RH Dummy	8.1	439		466	
85365.xxx.2LFD	Full dummy set with lever – LH Dummy	8.1	439		466	



Ashton™ Single-Point Lock Handleset  
w/ 5210 Colonial knob or 5255 Wave lever

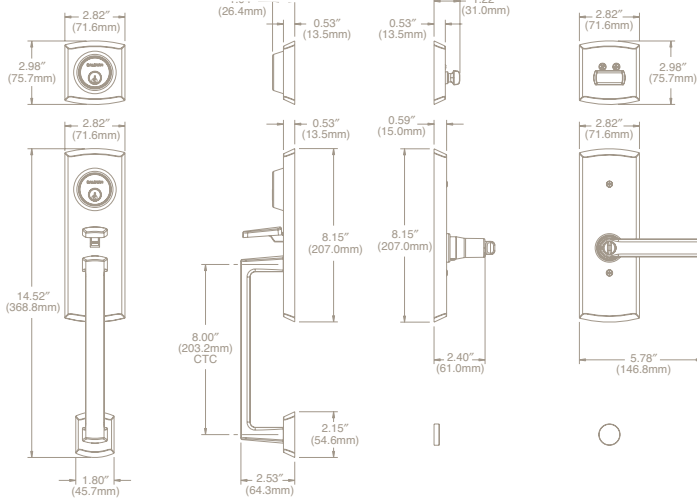


Item #	Function	Wt.	031, 050, 102 112, 150, 151 190, 260, 264		003, 055, 056 402, 412, 452	
85365.xxx.1ENT	Single cylinder handleset with interior knob	8.0	\$390		419	
85365.xxx.1FD	Full dummy set with interior knob	7.7	352		381	
85365.xxx.1RH	Single cylinder handleset with lever – RH Entry	7.6	390		419	
85365.xxx.1LH	Single cylinder handleset with lever – LH Entry	7.6	390		419	
85365.xxx.1RFD	Full dummy set with lever – RH Dummy	7.3	352		381	
85365.xxx.1LFD	Full dummy set with lever – LH Dummy	7.3	352		381	



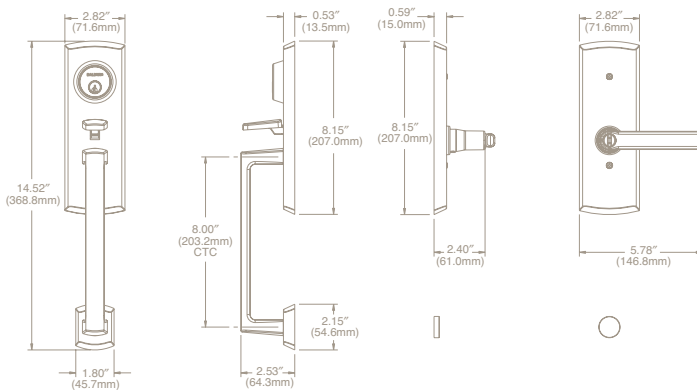
# IMAGES – HANDLESETS, 2-POINT & SINGLE-POINT

## Soho™ Two-Point Lock Handleset w/ Soho lever



Item #	Function	031, 050, 102 112, 150, 151 190, 260, 264		
		Wt.		003, 055, 056 402, 412, 452
85385.xxx.2RH	Single cylinder handleset with lever – RH Entry	9.7	\$490	521
85385.xxx.2LH	Single cylinder handleset with lever – LH Entry	9.7	490	521
85385.xxx.2DCR	Double cylinder handleset with lever – RH Entry	9.4	521	551
85385.xxx.2DCL	Double cylinder handleset with lever – LH Entry	9.4	521	551
85385.xxx.2RFD	Full dummy set with lever – RH Dummy	8.9	461	490
85385.xxx.2LFD	Full dummy set with lever – LH Dummy	8.9	461	490

## Soho™ Single-Point Lock Handleset w/ Soho lever



Item #	Function	031, 050, 102 112, 150, 151 190, 260, 264		
		Wt.		003, 055, 056 402, 412, 452
85385.xxx.1RH	Single cylinder handleset with lever – RH Entry	8.4	\$410	440
85385.xxx.1LH	Single cylinder handleset with lever – LH Entry	8.4	410	440
85385.xxx.1RFD	Full dummy set with lever – RH Dummy	8.1	370	400
85385.xxx.1LFD	Full dummy set with lever – LH Dummy	8.1	370	400