

# IMAGES – DEADBOLT SETS, MECHANICAL FEATURES

## 8000 SERIES

### LOW PROFILE CYLINDER DEADBOLT FOR 1-5/8" (41mm) DOOR PREP

All deadbolts feature a 1/2" low-profile cylinder projection.

**CASE:** Deadbolt case is formed of heavy gauge steel for strength and assures solid fit in door preparations. Most interior working parts are made of solid brass for maximum strength and smooth operation.

**DEADBOLT:** All deadbolts are of solid brass construction. Deadbolt has .600" x .770" x 1" (15 x 20 x 25mm) throw when extended and a hardened steel insert for maximum protection and security. Deadbolt is furnished in 040 and 264 finishes to match trim.

**GRADE 1:** Meets Grade 1 Requirements as set forth in ANSI A156.5 Test Sections 9.1–9.11 & 10.1–10.9.

**BACKSET:** Adjustable backset deadbolt 2-3/8" (60mm) or 2-3/4" (70mm).

**NON-HANDED** design facilitates specification and installation.

**STRIKE:** Every deadbolt illustrated in this section is furnished with a specially-designed reinforcing strike constructed of high grade steel for ultimate strength and durability. The strike is installed with four (4) security jamb screws (including two (2) 3" screws) and a dust box and is covered with an armored front to conceal the fasteners. The 3" screws securing the reinforcing strike resist tampering and guard against theft.

**CYLINDERS:** The cylinder housing is protected with a free-turning exterior cylinder guard fabricated from solid brass to resist gripping or twisting. Cylinders are supplied standard with 03 keyway and two nickel silver keys. All deadbolts are furnished with 5-pin keying.

**KEYING:** All deadbolts are available Keyed Alike in Sets of Four (KAS4) in any configuration, provided that no specific key numbers are requested. Keep in mind that the total quantity of deadbolts ordered must be a multiple of the keyed alike quantity. Contact factory for keying to a specific key number.

**KEYS** are designed with a 1.25" (32mm) wide bow surface.

**PACKAGING:** Packaged one deadbolt per box with security strike, dust box and keys. Deadbolts are also available Keyed Alike in Sets of Four (KAS4). All products are packaged in contractor packaging unless noted.

**WEIGHT:** 1.8 lbs. each (.81kg); 10.8 lbs. (4.86kg) per case for standard package.

**DOOR CONDITIONS:** Deadbolts fit 1-5/8" (41mm) diameter cutouts. Trim rings No. 8090 available for doors drilled with 2-1/8" (54mm) diameter holes.

**DOOR THICKNESS:** Deadbolts fit 1-3/4" (44mm) thick doors. Deadbolt kits are available for 2" (51mm) and 2-1/4" (57mm) thick doors at an additional charge. Door spacers No. 8097 are required for 1-3/8" (35mm) thick doors.

## 8200 SERIES

### LOW PROFILE CYLINDER DEADBOLT FOR 2-1/8" (54mm) DOOR PREP

All information identical to 8000 SERIES except where noted here

**WEIGHT:** 2.2 lbs. each (.99kg); 13.2 lbs. per case (5.94kg); KAS4 8.8 lbs. (4.0kg).

**DOOR CONDITIONS:** Deadbolts fit 2 1/8" (54mm) diameter cutouts.

**DOOR THICKNESS:** Deadbolts fit 1-3/4" (44mm) thick doors. Deadbolt kits are available for 2" (51mm) and 2-1/4" (57mm) thick doors at an additional charge. Door spacers No. 8297 are required for 1-3/8" (35mm) thick doors.

**UL DEADBOLT KITS** (available October 1, 2008): UL certified deadbolts can be ordered by adding a UL kit to a Baldwin deadbolt. Each Deadbolt kit contains a deadbolt latch with UL faceplate, UL shield, and rotation stop. Details on ordering UL certified products can be found on page 55.

# IMAGES – DEADBOLTS

Contemporary Deadbolt – 2 1/8" Door Prep



Item #	Function	Wt.	031, 033, 038, 040, 060, 050, 102, 112, 150, 151, 190, 260, 264	003, 055, 056 412, 452
8244.xxx	Single cylinder deadbolt	2.0	\$72.60	75.60
8244.xxx.KAS4	Single cylinder deadbolt - keyed alike set of 4	8.5	290.40	302.40
8244.xxx.PAT	Single cylinder deadbolt	1.2	60.00	63.00

Item #	Function	Wt.	102, 112, 151	320, 324
8244S.xxx	Single cylinder deadbolt (stainless steel)	1.9	72.60	75.60
8244S.xxx.KAS4	Single cylinder deadbolt - keyed alike set of 4 (stainless steel)	8.7	290.40	302.40
8244S.xxx.PAT	Patio deadbolt (stainless steel)	1.1	60.00	63.00

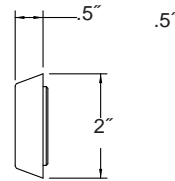
**STEEL CASE:** .960" Dia. x 3.312" or 3.750" extended (24 x 84 or 95mm)  
**FRONT:** .156" x 1" x 2.25" (4 x 25 x 57mm)

Contemporary Deadbolt – 1 5/8" Door Prep



Item #	Function	Wt.	031, 033, 038, 040, 060, 050, 102, 112, 150, 151, 190, 260, 264		003, 055, 056 402, 412, 452	
8011.xxx	Double cylinder deadbolt	1.9	\$60.60		64.80	
8011.xxx.KAS4	Double cylinder deadbolt - <i>keyed alike set of 4</i>	8.1	242.40		259.20	
8041.xxx	Single cylinder deadbolt	1.7	50.40		55.20	
8041.xxx.KAS4	Single cylinder deadbolt - <i>keyed alike set of 4</i>	7.3	201.60		220.80	

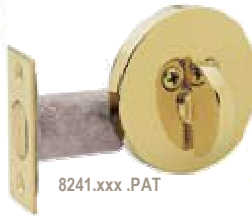
STEEL CASE: .960" Dia. x 3.312" or 3.75" extended (24 x 84 or 95mm)  
FRONT: .156" x 1" x 2.25" (4 x 25 x 57mm)



Contemporary Deadbolt – 2 1/8" Door Prep

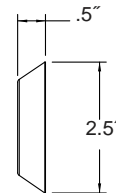


Patio Deadbolt  
NOT 2 1/8" Door Prep



Item #	Function	Wt.	031, 033, 038, 040, 060, 050, 102, 112, 150, 151, 190, 260, 264		003, 055, 056 402, 412, 452	
8242.xxx	Double cylinder deadbolt	2.4	\$61.80		68.40	
8242.xxx.KAS4	Double cylinder deadbolt - <i>keyed alike set of 4</i>	9.9	247.20		273.60	
8241.xxx	Single cylinder deadbolt	2.1	51.60		57.00	
8241.xxx.KAS4	Single cylinder deadbolt - <i>keyed alike set of 4</i>	8.9	206.40		228.00	
8241.xxx.PAT	Patio deadbolt	1.1	37.20		40.80	

STEEL CASE: .960" Dia. x 3.312" or 3.750" extended (24 x 84 or 95mm)  
FRONT: .156" x 1" x 2.25" (4 x 25 x 57mm)

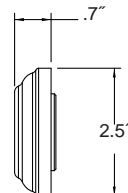


Traditional Deadbolt – 1 5/8" Door Prep



Item #	Function	Wt.	031, 033, 038, 050, 102, 112, 150, 151, 190, 260, 264		003, 055 056, 402 412, 452	
8021.xxx	Double cylinder deadbolt	2.0	\$60.60		64.80	
8021.xxx.KAS4	Double cylinder deadbolt - <i>keyed alike set of 4</i>	8.2	242.40		259.20	
8031.xxx	Single cylinder deadbolt	1.8	50.40		55.20	
8031.xxx.KAS4	Single cylinder deadbolt - <i>keyed alike set of 4</i>	7.5	201.60		220.80	

STEEL CASE: .960" Dia. x 3.312" or 3.75" extended (24 x 84 or 95mm)  
FRONT: .156" x 1" x 2.25" (4 x 25 x 57mm)

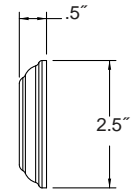


# IMAGES - DEADBOLTS

## Traditional Deadbolt – 2 1/8" Door Prep



## Patio Deadbolt NOT 2 1/8" Door Prep



Item #	Function	Wt.	031, 033, 038, 040, 060, 050, 102, 112, 150, 151, 190, 260, 264		003, 055 056, 402 412, 452	
8232.xxx	Double cylinder deadbolt	2.4	\$61.80		68.40	
8232.xxx.KAS4	Double cylinder deadbolt - <i>keyed alike set of 4</i>	10.2	247.20		273.60	
8231.xxx	Single cylinder deadbolt	2.2	51.60		57.00	
8231.xxx.KAS4	Single cylinder deadbolt - <i>keyed alike set of 4</i>	9.0	206.40		228.00	
8231.xxx.PAT	Patio deadbolt	1.1	37.20		40.80	

STEEL CASE: .960" Dia. x 3.312" or 3.750" extended (24 x 84 or 95mm)  
FRONT: .156" x 1" x 2.25" (4 x 25 x 57mm)

## Tahoe Deadbolt – 2 1/8" or 1 5/8" Door Prep



Item #	Function	Wt.	031, 033, 038, 040, 060, 050, 102, 112, 150, 151, 190, 260, 264		003, 055 056, 402 412, 452	
8212.xxx	Double cylinder deadbolt	2.5	\$72.00		74.40	
8212.xxx.KAS4	Double cylinder deadbolt - <i>keyed alike set of 4</i>	10.4	288.00		297.60	
8213.xxx	Single cylinder deadbolt	2.4	60.60		63.60	
8213.xxx.KAS4	Single cylinder deadbolt - <i>keyed alike set of 4</i>	9.8	242.40		254.40	

STEEL CASE: .960" Dia. x 3.312" or 3.750" extended (24 x 84 or 95mm)  
FRONT: .156" x 1" x 2.25" (4 x 25 x 57mm)

## Bethpage® Deadbolt – 2 1/8" Door Prep or 1 5/8" Door Prep



Item #	Function	Wt.	031, 033, 038, 040, 060, 050, 102, 112, 150, 151, 190, 260, 264		003, 055 056, 402 412, 452	
8238.xxx	Double cylinder deadbolt	2.4	\$72.00		74.40	
8238.xxx.KAS4	Double cylinder deadbolt - <i>keyed alike set of 4</i>	9.2	288.00		297.60	
8237.xxx	Single cylinder deadbolt	2.1	60.60		63.60	
8237.xxx.KAS4	Single cylinder deadbolt - <i>keyed alike set of 4</i>	9.2	242.40		254.40	

STEEL CASE: .960" Dia. x 3.312" or 3.750" extended (24 x 84 or 95mm)  
FRONT: .156" x 1" x 2.25" (4 x 25 x 57mm)  
COLLAR DIMENSION: 2.63"W X 3.25"H X 0.5" THICK (66 X 81 X 13mm)

Soho™ Deadbolt – 2 1/8" Door Prep or 1 5/8" Door Prep

031, 033, 038,  
040, 060, 050,  
102, 112, 150,  
151, 190, 260,  
264  
003, 055  
056, 402  
412, 452

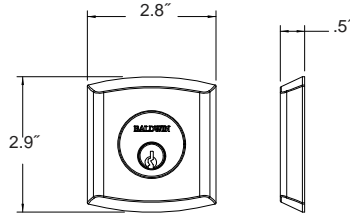
Item #	Function	Wt.		
8286.xxx	Double cylinder deadbolt	2.4	\$72.00	74.40
8286.xxx.KAS4	Double cylinder deadbolt - <i>keyed alike set of 4</i>	10.2	288.00	297.60
8285.xxx	Single cylinder deadbolt	2.2	60.60	63.60
8285.xxx.KAS4	Single cylinder deadbolt - <i>keyed alike set of 4</i>	9.0	242.40	254.40



8286.xxx



8285.xxx



STEEL CASE: 8285: .960" Dia. x 3.312" or 3.750" extended (24 x 84 or 95mm)  
FRONT: .156" x 1" x 2.25" (4 x 25 x 57mm)  
COLLAR DIMENSION: 2.75"W X 2.88"H X 0.5" THICK (70 X 73 X 13mm)

Arched Deadbolt – 2 1/8" Door Prep or 1 5/8" Door Prep

031, 033, 038,  
040, 060, 050,  
102, 112, 150,  
151, 190, 260,  
264  
003, 055  
056, 402  
412, 432, 452

Item #	Function	Wt.		
8253.xxx	Double cylinder deadbolt	2.0	\$72.00	74.40
8253.xxx.KAS4	Double cylinder deadbolt - <i>keyed alike set of 4</i>	9.9	288.00	297.60
8252.xxx	Single cylinder deadbolt	2.0	60.60	63.60
8252.xxx.KAS4	Single cylinder deadbolt - <i>keyed alike set of 4</i>	9.0	242.40	254.40



8253.xxx



8252.xxx

Squared Deadbolt – 2 1/8" Door Prep or 1 5/8" Door Prep

031, 033, 038,  
040, 060, 050,  
102, 112, 150,  
151, 190, 260,  
264  
003, 055  
056, 402  
412, 432, 452

Item #	Function	Wt.		
8255.xxx	Double cylinder deadbolt	2.0	\$72.00	74.40
8255.xxx.KAS4	Double cylinder deadbolt - <i>keyed alike set of 4</i>	9.9	288.00	297.60
8254.xxx	Single cylinder deadbolt	2.0	60.60	63.60
8254.xxx.KAS4	Single cylinder deadbolt - <i>keyed alike set of 4</i>	9.0	242.40	254.40



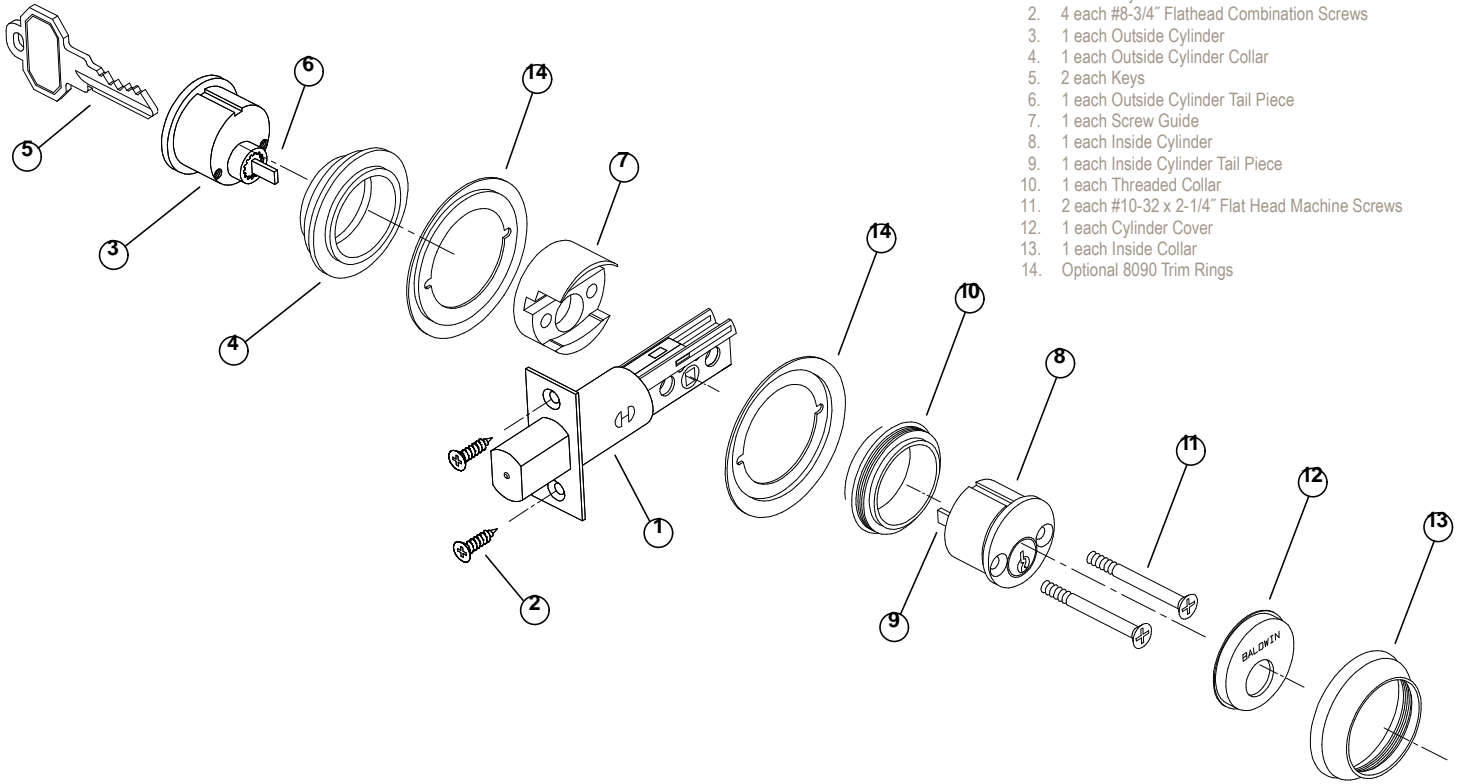
8255.xxx



8254.xxx

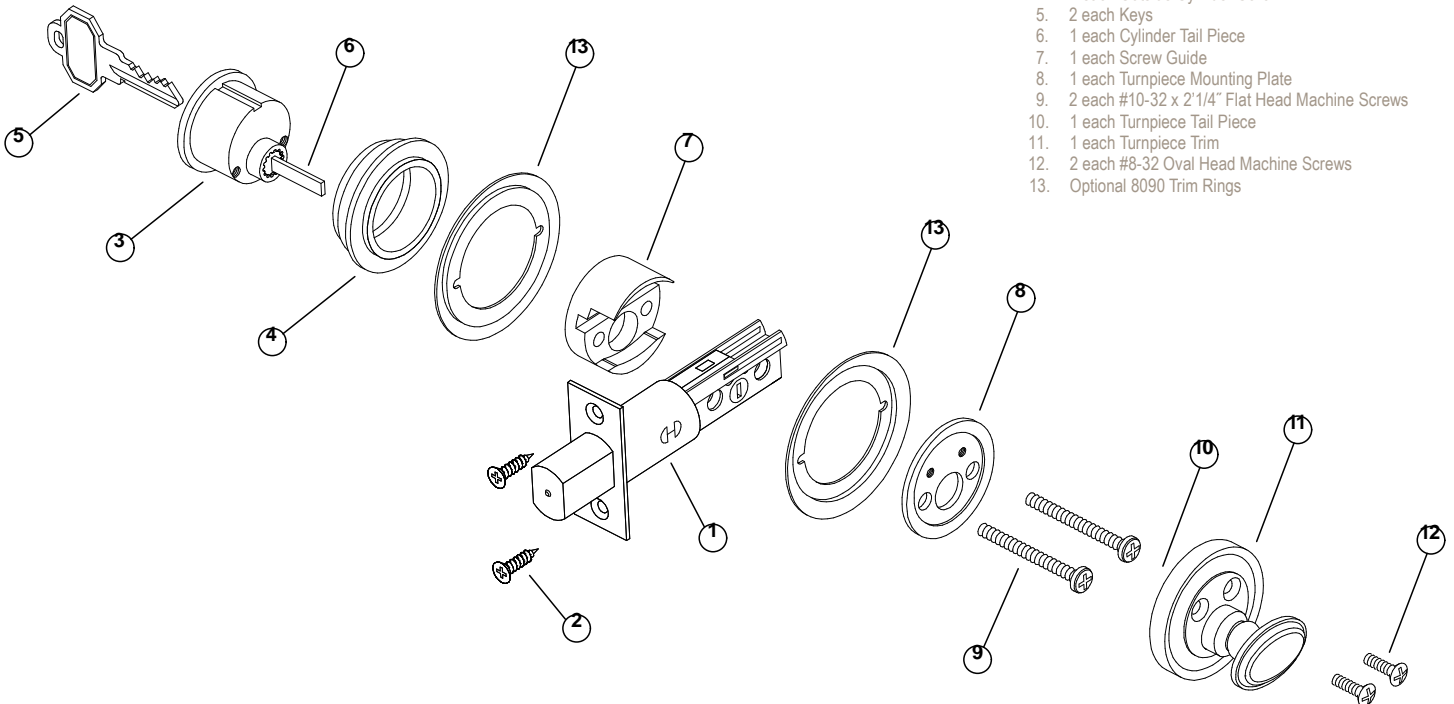
# IMAGES - DEADBOLTS - EXPLODED VIEWS

## Double Cylinder Deadbolt



1. 1 each Adjustable Backset Deadbolt
2. 4 each #8-3/4" Flathead Combination Screws
3. 1 each Outside Cylinder
4. 1 each Outside Cylinder Collar
5. 2 each Keys
6. 1 each Outside Cylinder Tail Piece
7. 1 each Screw Guide
8. 1 each Inside Cylinder
9. 1 each Inside Cylinder Tail Piece
10. 1 each Threaded Collar
11. 2 each #10-32 x 2-1/4" Flat Head Machine Screws
12. 1 each Cylinder Cover
13. 1 each Inside Collar
14. Optional 8090 Trim Rings

## Single Cylinder Deadbolt



1. 1 each Adjustable Backset Deadbolt
2. 2 each #8-32 x 3/4" Flat Head Machine Screws
3. 1 each Outside Cylinder
4. 1 each Outside Cylinder Collar
5. 2 each Keys
6. 1 each Cylinder Tail Piece
7. 1 each Screw Guide
8. 1 each Turnpiece Mounting Plate
9. 2 each #10-32 x 2 1/4" Flat Head Machine Screws
10. 1 each Turnpiece Tail Piece
11. 1 each Turnpiece Trim
12. 2 each #8-32 Oval Head Machine Screws
13. Optional 8090 Trim Rings